

BMR

RGB LED Ring

Order # 725.218



DESCRIPTION

The BMR LED ring is used in conjunction with the MPC 22/23 boundary microphones or those microphones of the Classis BM series. It is used to indicate the status in tele or video conferences and illuminates in different colours. The BMR LED ring is controlled via a media control system or the logic output of a DSP mixer. The BMR LED ring is supplied with a light conductor, a jumper and a housing containing the PCB.

TECHNICAL SPECIFICATIONS

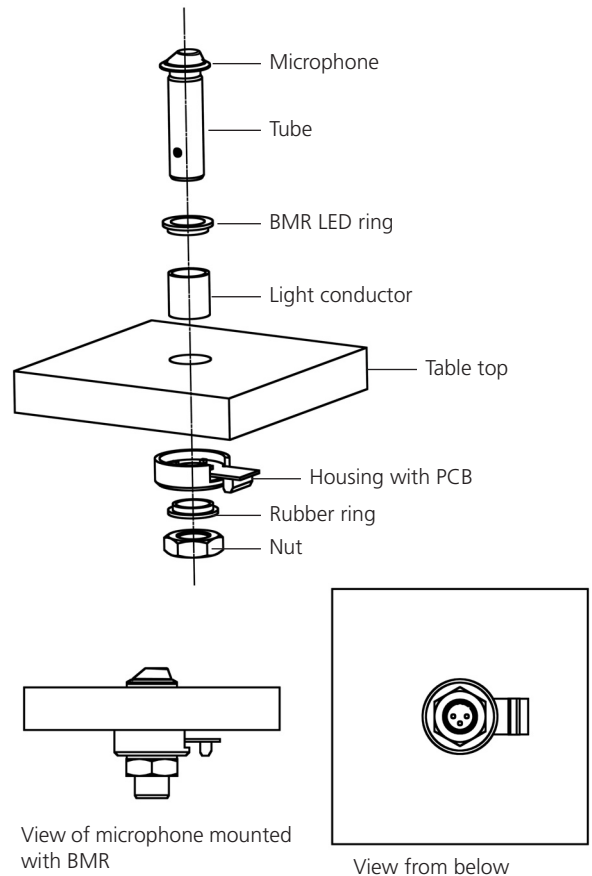
Voltage for all colours	12 V ±0.5 V
Current – Red	20 mA
Current – Green	12 mA
Current – Blue	15 mA
Wavelength Red	630 nm
Wavelength Green	525 nm
Wavelength Blue	465 nm
Connection screw terminal	
Conductor cross-section flexible	0.08 mm ² - 1.0 mm ²
Flexible with cable end sleeve	0.14 mm ² - 0.5 mm ²
Drilling diameter table top	24.5 mm

SUPPLIED ACCESSORIES



MOUNTING

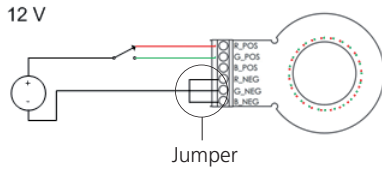
- For the components drill an appropriate hole into a table top or similar. Shorten the light conductor in accordance to the thickness of the table top.
- Mount the individual components as shown in the illustration below.
- Put the light conductor, the BMR LED ring and then the boundary microphone from above into the table top.
- From below slide the housing with the PCB and the rubber ring over the tube of the microphone. Attach all components by tightening the nut.
- Connect the PCB to your media control system or the logic output of a DSP mixer according to your choice of colours and the technical requirements. Please note the required voltage of 12 V.



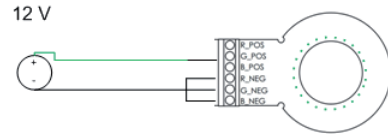
BMR

APPLICATION EXAMPLES

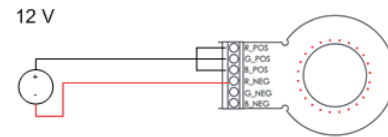
Example: red/green, common GND



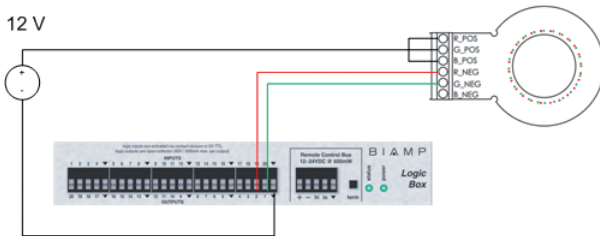
Example: Green, Common GND



Example: red, common V+



Example: red/green, common V+
With BIAMP Logic Box



Example: red/green, common V+

