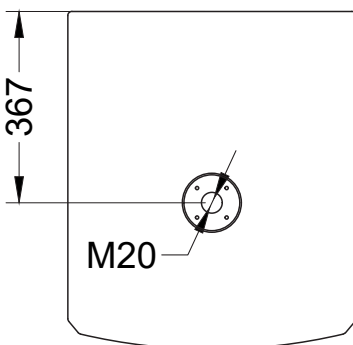
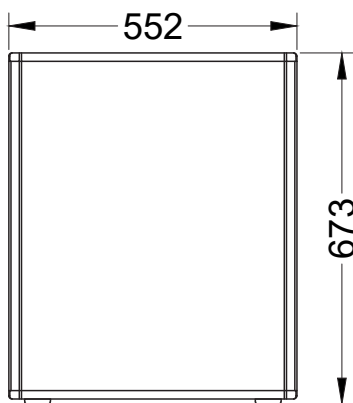
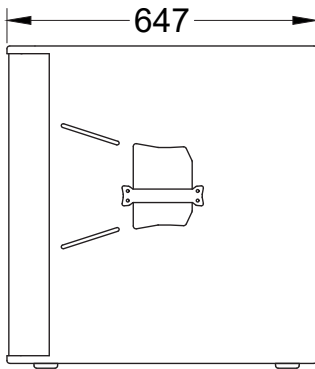


# Z 318A

## POWERED SUBWOOFER

Z series was created to deliver the power and professional sound quality into various indoor and outdoor spaces while keeping budget considerations in check.

Z 318A is an effective powered subwoofer for reinforcing Z series full-range cabinets. Subwoofer is equipped with M20 distance pole socket for convenient installation, and is compact enough for use by mobile professionals.



### Main features:

- 650W amplifier power
- 18" woofer with 3" voice coil
- Efficient vented box design
- 130 dB Max SPL
- M20 distance pole socket

Frequency Response (-10dB)	33 - 170 Hz
Max SPL (calculated)	130 dB
LF Driver	18", 3" VC
Amplifier power	650 W
Amplifier	Class D, fan cooling, DSP
Input sensitivity	0 dBV (1 V RMS)
Connectors	XLR input, XLR output, Powercon mains
Dimensions (W×H×D)	552x673x647 mm
Net weight	42,3 kg
Shipping weight	45,3 kg
Mounting	M20 distance pole adapter
Enclosure material	Plywood; wear-resistant paint
Grill	Steel grill, polymer protective net

With dedication to constant improvement of the products, manufacturer may change the listed specifications without prior notice